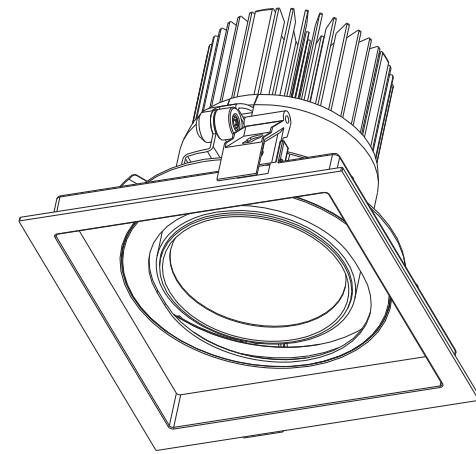


NAKA SQUARE



SAIF

Instruction Manual

Series: NAKA-RECESSED SPOT

Attentions:

Read the instruction carefully before installation, non-observance of this instruction may cause damage to the fixture or hurt to human body. The installation must be carried out by a qualified electrician in accordance with local or national codes.
Cut off the power supply before installation and maintenance !

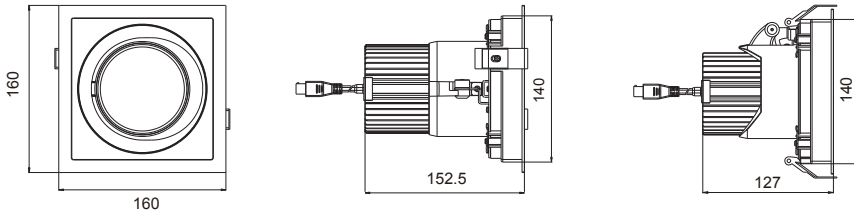
Regularly check the light source, the LED power supply, the cord and other accessories.
If any part is damaged, the product should not be used.

Keep this instruction manual handy for future use.

The light source of these products are non-changeable light diodes(LED).
Do not disassemble the product, as the light diode can cause damage to the eyes.
Use only in indoor,dry location.Clean the product with a dry cloth.

Lighting installation at a height of 2.5 meters above, 1.25m above the horizontal.
Before installing the lamps need to adjust the angle of the lamps.
Make sure the lamps turn off if need adjust the angle.

Dimension in mm

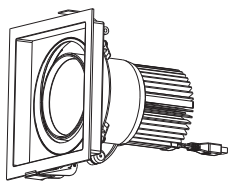


NAKA SQUARE-S1-800
NAKA SQUARE-S11-800

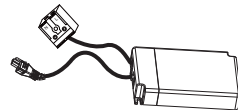
NAKA SQUARE-S1-800

NAKA SQUARE-S11-800

Model	Part number	Power	LED power supply	Minimum mounting space(d1xd2xh)	ta
NAKA SQUARE-S1-800	RS-Cxxxx-10W-xx	11W	SLT20-300IS-E	510x320x230	-20°C~35°C
	RS-Cxxxx-15W-xx	15W	SLT20-400IS-E		
	RS-Cxxxx-30W-xx	32W	SLT40-800IS-E		
NAKA SQUARE-S11-800	RS-Mxxxx-10W-xx	11W	SLT20-300IS-E		
	RS-Mxxxx-15W-xx	14W	SLT20-400IS-E		
	RS-Mxxxx-30W-xx	29W	SLT40-800IS-E		

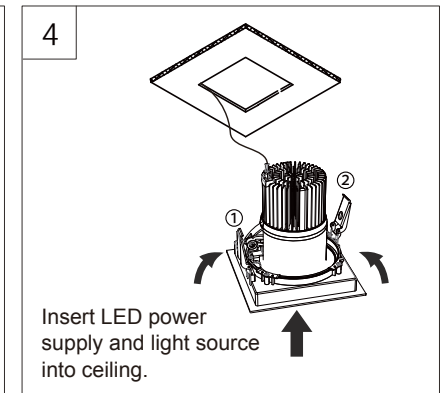
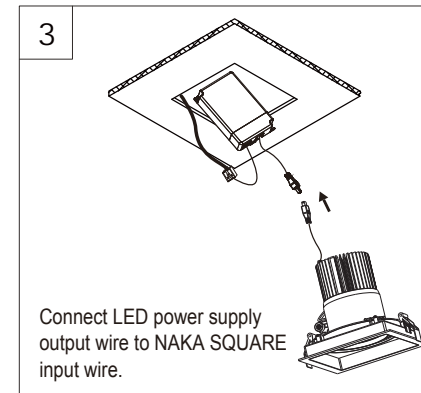
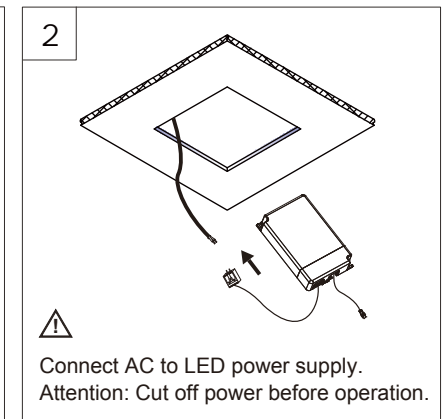
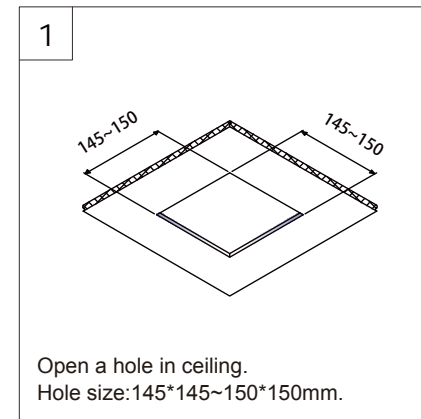
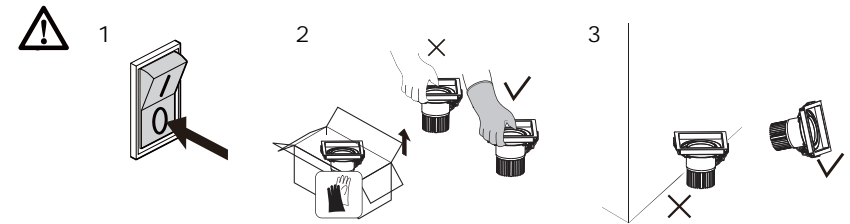


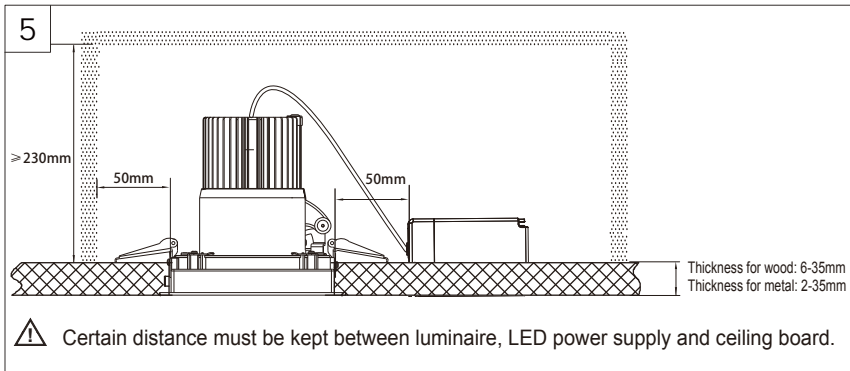
LAMP x1



LED power supply x1 (optional)

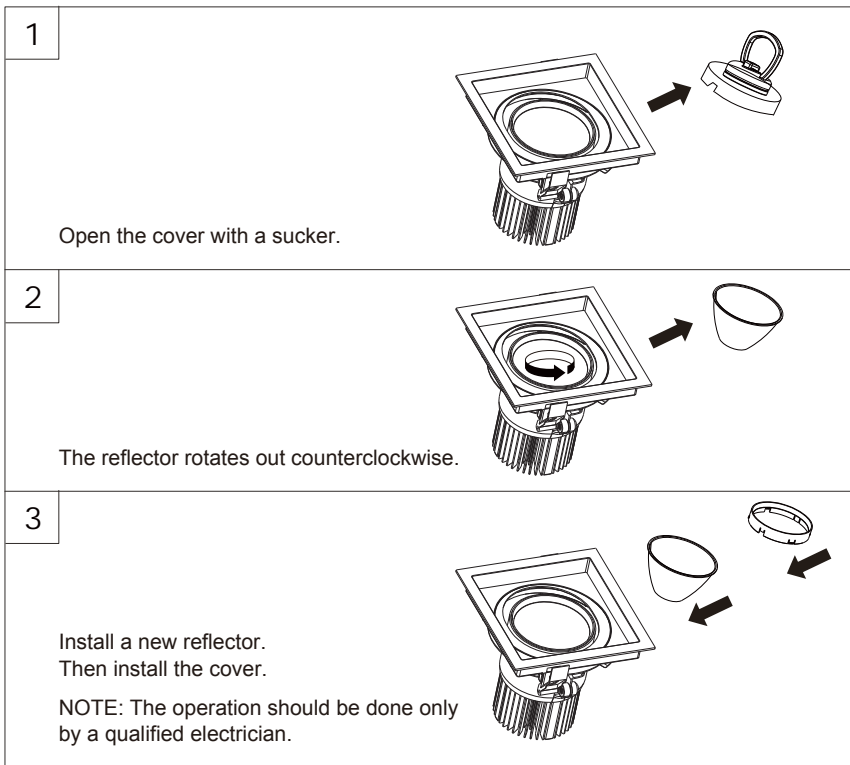
Tools





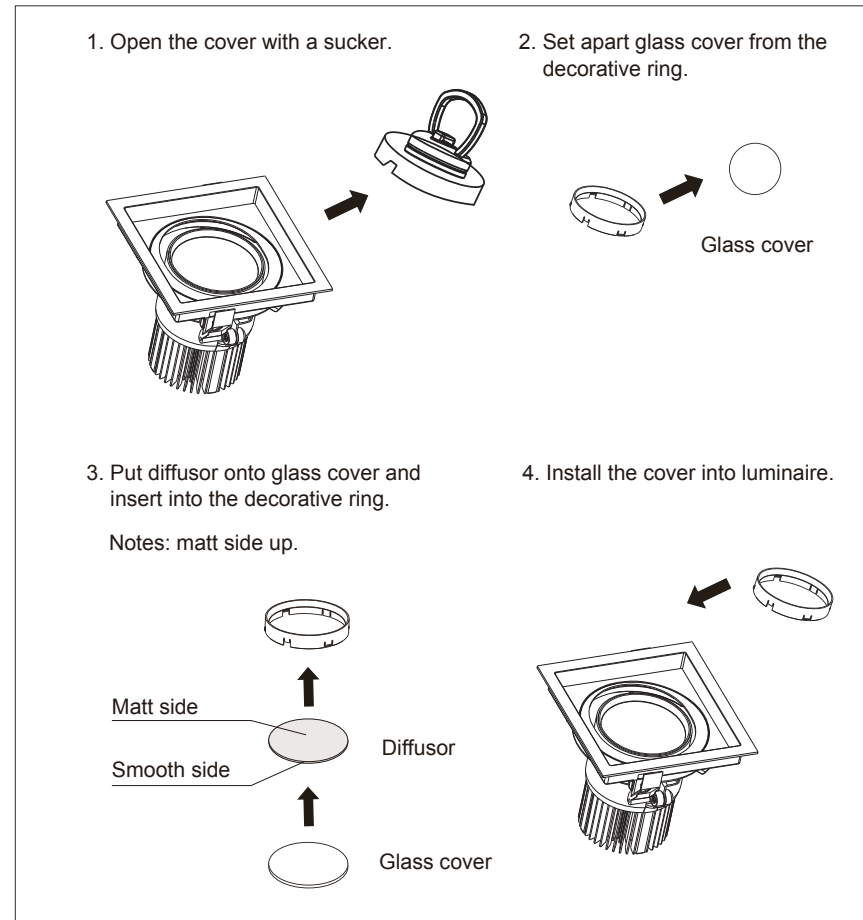
Feature 1:

The reflector can be replaced for Recessed Spot COB series.
Replace reflector according to your desired beam angle.



Feature 2:

COB series light spot adjustable.



Made in China