

TRACKWASH SERIES

CEILING LIGHTING



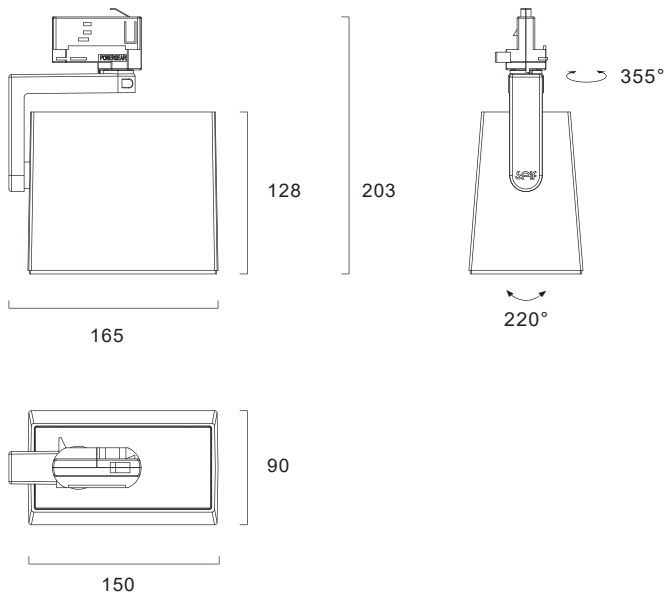
Key Feature

- Suitable for precise large-area wall illumination
- The spotlight is 355° turning range and 220° swivel range.
- Super high light efficiency, up to 130lm/W.
- High flexibility to the lighting tasks in the industrial and retail sectors.
- Short payback period.
- Available with glass cover.
- Available with DALI version.
- Life time: 50,000hrs (L80, B20, Ta=25°C, 12hours/Day).
- Warranty: 5 years.

Key Specification

- Input voltage: 220-240 VAC.
- Luminaire input power: 25/42W
- Luminous Flux: 3250/5250lm@940
- Luminaire efficacy: 130/125lm/W@940
- Ra (R9) typ.: 93(50).
- Chromaticity tolerance (initial MacAdam): 3 SDCM (3000K,3500K,4000K).
- CCT: 3000K, 3500K,4000K
- Beam angle: 55x85°
- Ta: -20~35°C.
- N.W. : 1120 g.
- Degree of protection: IP20.
- Housing: Aluminum.
- Glass cover: without.

Dimensions: (mm)



Specifications

Order no.	Model	Power ^[1] (W)	Ra (R9) ^[3] typ	CCT ^[2] (K)	Beam ^[4] angle	Luminous ^[5] flux(lm)	Luminaire ^[6] efficacy(lm/w)	E.E.C. ^[7]	UGR ^[8]	QTY/CTN (pcs)	G.W./CTN (kg)	SIZE/CTN (mm)
-			93	3000		3050	122			-	-	-
-	TRACKWASH MO-S1-220V	25	93	3500	55x85°	3150	126	-	<22	-	-	-
-			93	4000		3250	130			-	-	-
-			93	3000		4910	117			-	-	-
-	TRACKWASH HO-S1-220V	42	93	3500	55x85°	5080	121	-	<22	-	-	-
-			93	4000		5250	125			-	-	-

[1]: Measurement precision for input voltage/current /power +/- 10%, W = kWh/1000h.

[2]: Comply with ANSI C78.377.

[3]: Minimum Ra(TYP.) is rated value - 2.

[4]: Beam angle ≤20°, measurement precision +/- 20%; beam angle >20°, measurement precision +/- 15%.

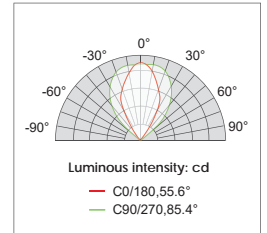
[5]: Minimum Luminous flux is 90% of rated value.

[6]: Minimum Luminaire efficacy is 90% of rated value.

[7]: Energy efficiency class.

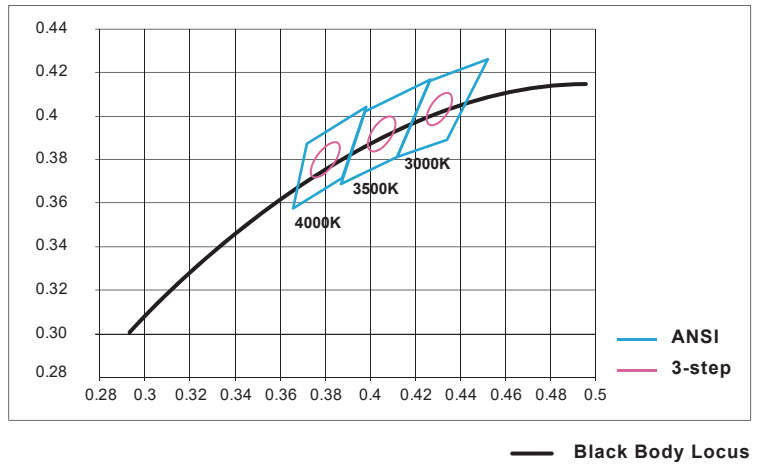
[8]: X=4H, Y=8H, S=0.25H, reflection factors: 70/50/20.

Photometrics(reference)



Color Bin Definition

Chromaticity tolerance (initial MacAdam): 3 SDCM (3000K,3500K,4000K)
 Color coordinates (CIEx, CIEy): 3000K(0.4338,0.4030),3500K(0.4073, 0.3917),4000K(0.3818,0.3797)
 Measurement precision for x ,y +/- 0.005



Standards

- EN60598-1
- EN 60598-2-1
- EN62471
- EN61547
- EN55015
- EN61000-3-2
- EN61000-3-3

Sales & Technical Support

SELF Electronics Germany GmbH

August-Horch-Str. 7, 51149 Cologne
Phone: +492203-18501-0
Fax: 492203-18501-199
E-mail: saleseu@self-electronics.com

SELF Electronics Co.,Ltd.(Headquarters)

Add: No. 1345 JuXian Road, Ningbo Hi Tech Park, Ningbo, China 315103
Phone: +86-574-2880-5765, +86-574-2880-5658 (for English assistance)
+86-574-2880-5678 (for Chinese assistance)
Fax: +86-574-28805656
E-mail: sales@self-electronics.com
<http://www.self-electronics.com>

SELF Electronics USA Corporation

3264 Saturn Ct, Peachtree Corners, GA 30092
Phone: +1-770-248-9023
Fax: +1-770-248-9028
E-mail: salesus@self-electronics.com

* Due to continuous improvements and innovations, specifications may change without notice.