

Instruction Manual

Series: TRACKWASH

⚠ ATTENTIONS

Read the instruction carefully before installation, non-observance of this instruction may cause damage to the fixture or hurt to human body. The installation must be carried out by a qualified electrician in accordance with local or national codes.
Cut off the power supply before installation and maintenance !

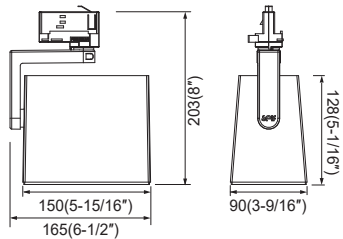
Regularly check the light source, the LED power supply, the cord and other accessories. If any part is damaged, the product should not be used.

Keep this instruction manual handy for future use.

The light source of these products are non-changeable light diodes(LED). Do not disassemble the product, as the light diode can cause damage to the eyes. Use only in indoor,dry location.Clean the product with a dry cloth.

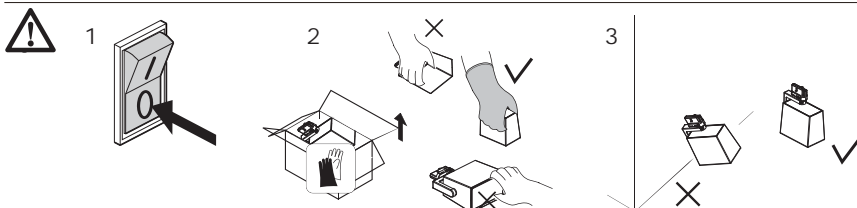
The luminaire shall be mounted out of arm's reach. The recommended installation height shall be at least 2,5 meter (above the ground).

Dimensions: (inch/mm)

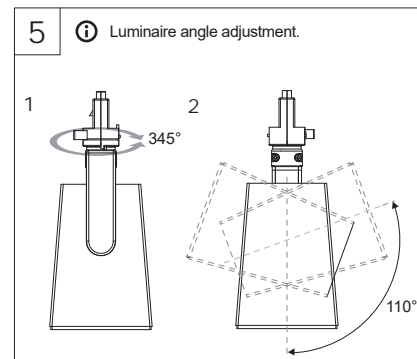
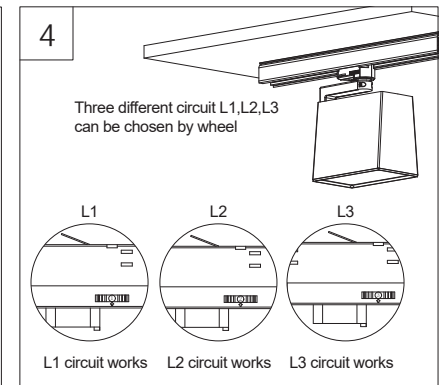
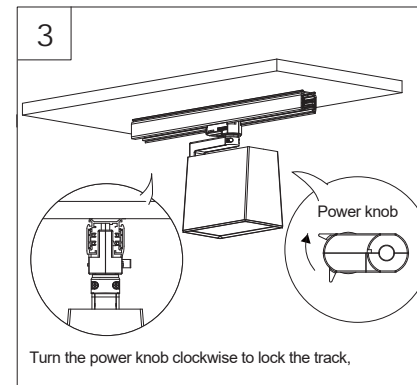
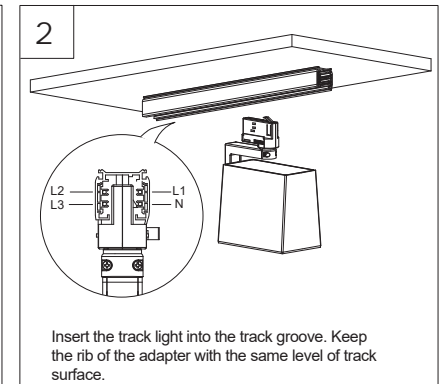
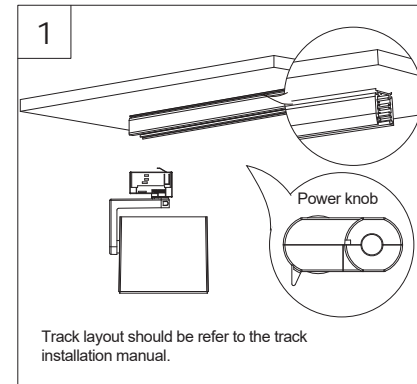


Model	Rated input	Power	Length	ta
TRACKWASH MO-S1-220V	220-240VAC	25W	203mm (8")	-20 C ~35 C (-4~95°F)
TRACKWASH HO-S1-220V	220-240VAC	42W		

Tools



ⓘ Installation



SELF Electronics Co.,Ltd.

No. 1345 JuXian Road, Ningbo Hi Tech Park, Ningbo, China 315103