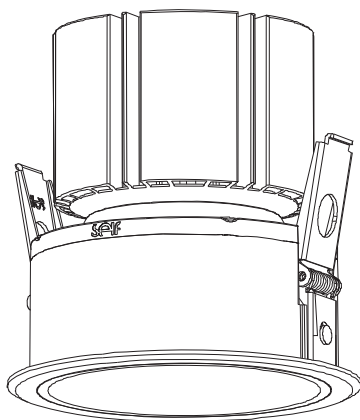


ERIS2



INSTRUCTION MANUAL

SERIES: ERIS2

Read these instructions completely and carefully.

ATTENTIONS

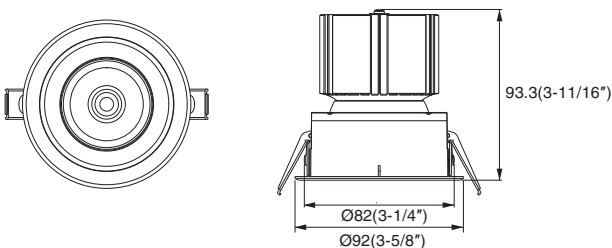
- Read the instruction carefully before installation, non-observance of this instruction may cause damage to the fixture or hurt to human body. The installation must be carried out by a qualified electrician in accordance with local or national codes.
- Cut off the power supply before installation and maintenance !
- Cut off the power supply before the electric wire connection for product first test.
- Regularly check the light source, the LED power supply, the cord and other accessories. If any part is damaged, the product should not be used.
- Keep this instruction manual handy for future use.
- Do not disassemble the product, as the light diode can cause damage to the eyes.
- Use only in indoor, dry location. Clean the product with a dry cloth.
- Lighting installation at a height of 2.5 meters above, 1.25m above the horizontal. Before installing the lamps need to adjust the angle of the lamps. Make sure the lamps turn off if need adjust the angle.
- Use only with SELV power supply or class 2 power supply. For better results SELF LED power supply is recommended.
- If the external flexible cable or cord of this luminaire is damaged, it shall be exclusively replaced by the manufacturer or his service agent or a similar qualified person in order to avoid a hazard.
- The luminaire is not suitable for covering with thermally insulated material.
- The light source contained in this luminaire shall only be replaced by the manufacturer or his service agent or a similar qualified person.
- The luminaire should be positioned so that prolonged staring into the luminaire at a distance closer than 1.0 m is not expected.

Lesen Sie diese Anweisungen vollständig und sorgfältig durch.

ACHTUNG

- Lesen Sie die Anweisungen sorgfältig vor der Installation durch. Bei Nichtbeachtung dieser Anweisung kann Schäden am Produkt oder Verletzungen am menschlichen Körper verursachen. Die Installation muss von einem qualifizierten Elektriker gemäß örtlichen oder nationalen Vorschriften durchgeführt werden.
- Schalten Sie die Stromversorgung vor der Installation und Wartung aus!
- Schalten Sie die Stromversorgung vor dem elektrischen Anschluss des Produkts für den ersten Test aus.
- Überprüfen Sie regelmäßig die Lichtquelle, das LED-Netzteil, das Kabel und andere Zubehörteile. Wenn ein Teil beschädigt ist, sollte das Produkt nicht verwendet werden.
- Bewahren Sie diese Bedienungsanleitung für zukünftige Verwendung auf.

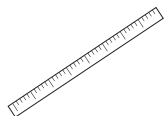
Dimensions: (mm)



Specifications :

Model	Rated Input	Wattage (W)	Hole size (mm)	Minimum Mounting Space(LXWXH)	ta	CRI
ERIS2-R1-600	600mA	21.9	Ø85 (Ø3-3/8")	200X200X150mm (7-7/8"x7-7/8"x5-15/16")	-20~35°C	≥90
ERIS2-R1-500-1	500mA	19	Ø85 (Ø3-3/8")	200X200X150mm (7-7/8"x7-7/8"x5-15/16")	-20~35°C	≥90

Tools:



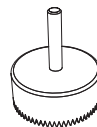
Ruler



Pencil

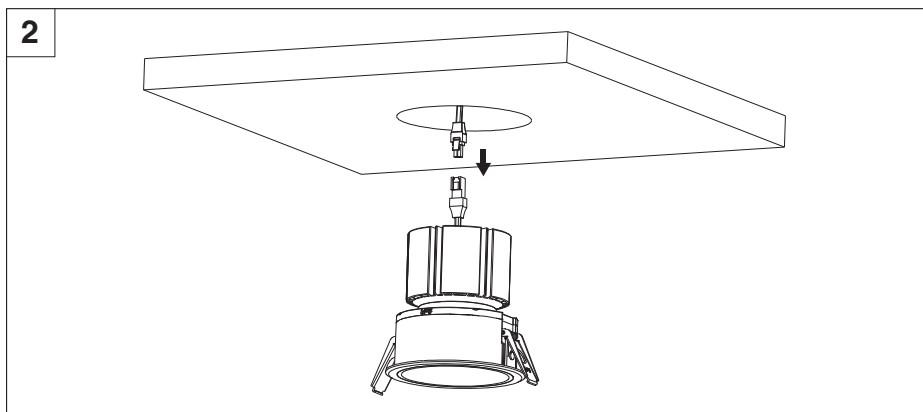
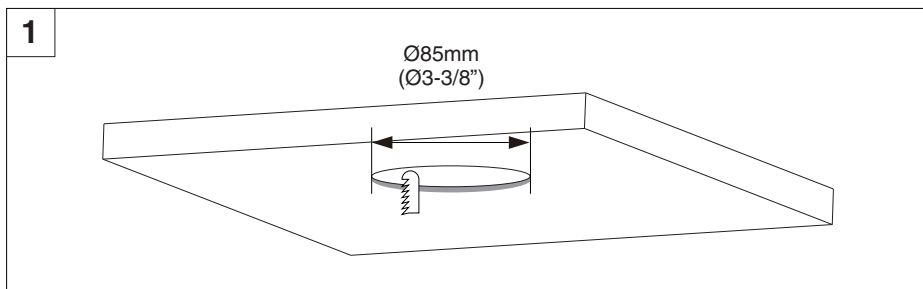


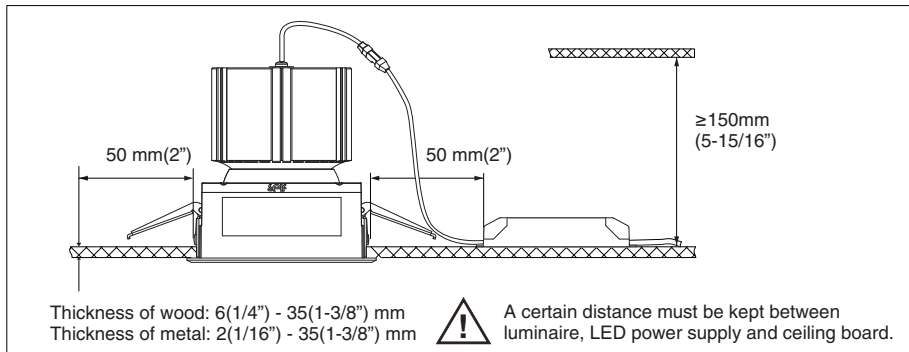
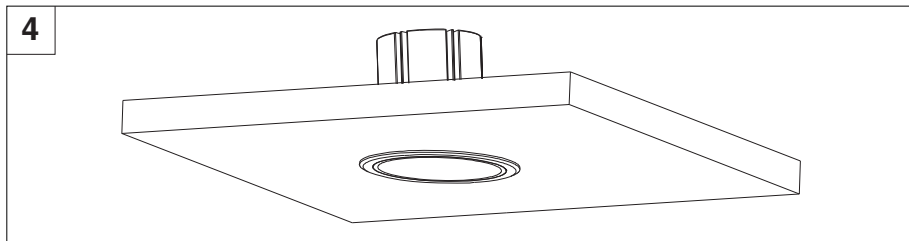
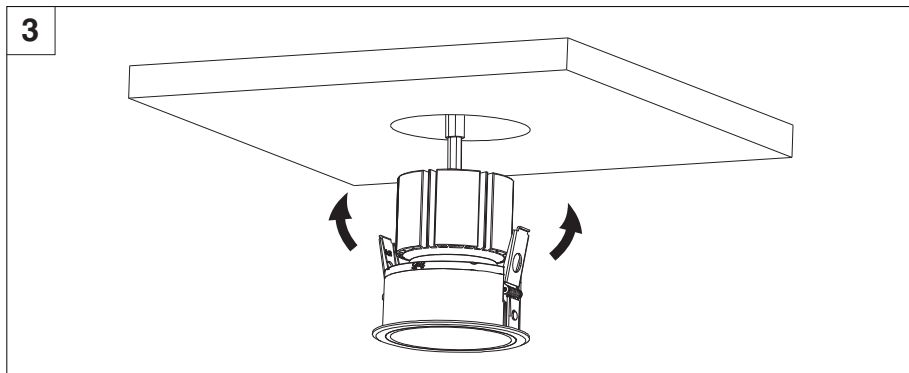
Driller



Hole Opener
Ø85mm
(Ø3-3/8")

❶ Installation:





14/04/2023

Manufacturer

SELF ELECTRONICS CO., LTD.
 Add: No. 1345 JuXian Road, Hi-Tech Park, Ningbo, China 315103

Importer

SELF ELECTRONICS GERMANY GMBH
 Add: August-Horch-Str. 7, 51149 Cologne
 (For European market)

SELF LIGHTING TECHNOLOGY PTY., LTD.
 Add: 31/3 Homelea Court, Rivervale, WA, 6103, Australia
 (For Oceanian market)

SELF ELECTRONICS USA CORP.
 Add: 3264 Saturn Ct, Peachtree Corners, GA 30092
 (For North American market)

SELF ELECTRONICS MIDDLE EAST DMCC
 Add: Unit No. 1299, DMCC Business Centre Level No 1 Jewellery & Gemplex 3, Dubai, United Arab Emirates
 (For Middle Eastern market)